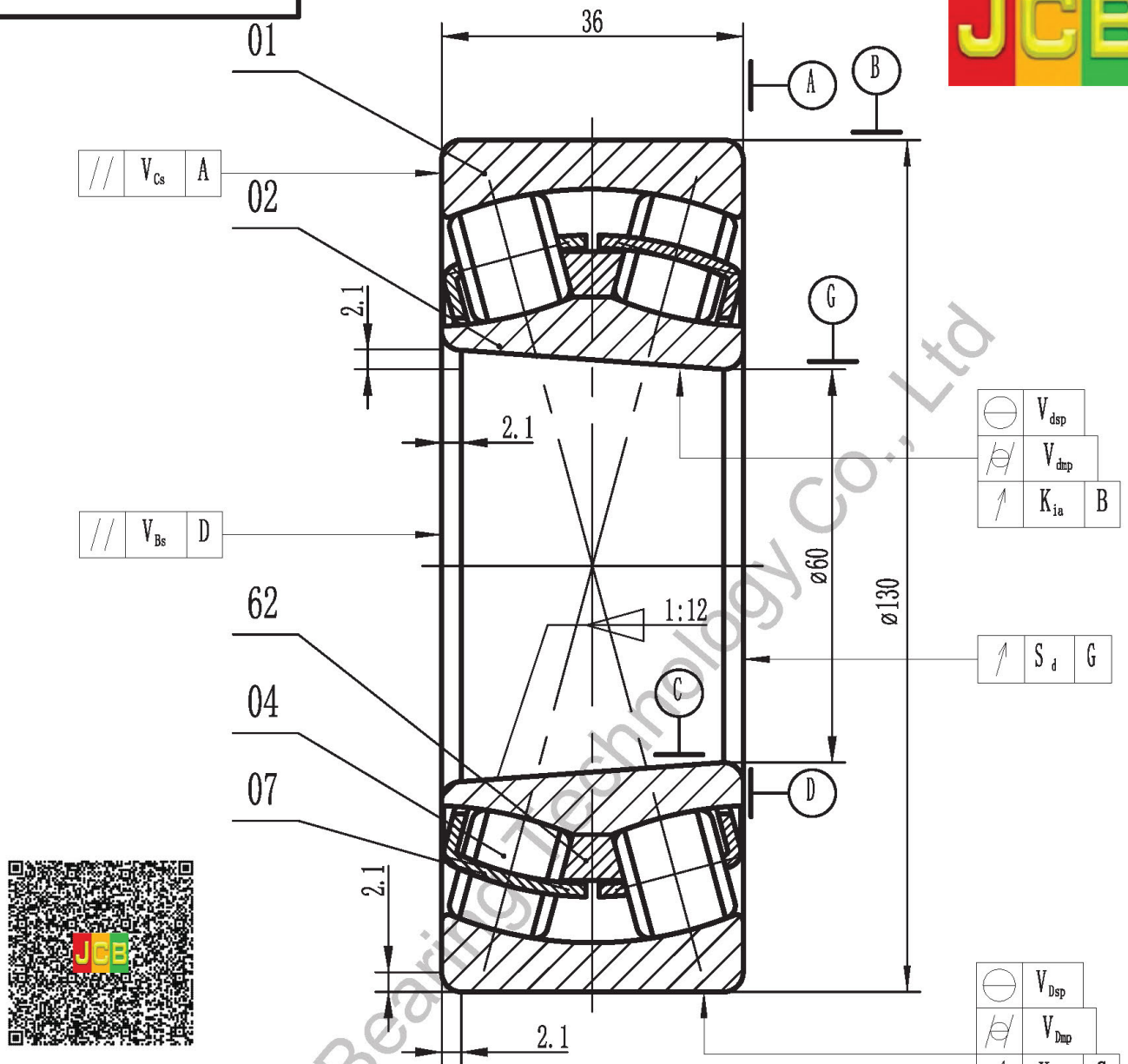


21312 EK



1. Tolerance of running accuracy are according to relevant state standard;
2. The value of the basic group of radial clearance: min 0.100 max 0.135;
3. Rated load: $C_r=640$ kN $C_{or}=740$ kN.

| 62 | Guide ring | | Steel 20—GB699 | | | |
|-----|------------|-----|------------------------------------|-------------|-------|--------|
| 07 | Cage | | Steel St 52—EN 10025:1990 + A:1993 | | | |
| 04 | Roller | | Steel 100Cr6—ISO 683-17:1999 | | | |
| 02 | Inner ring | | Steel 100Cr6—ISO 683-17:1999 | | | |
| 01 | Outer ring | | Steel 100Cr6—ISO 683-17:1999 | | | |
| No. | Name | Qty | Material | Unit | Total | Remark |
| | | | | Weight (kg) | | |

Luoyang JCB Bearing Technology Co., Ltd
 Contact information
 Company Address : No. 285, Fenghua road,
 Luoyang, Henan, China.
 Postal code : 471000
 Phone : 86-379-68611678
 Fax : 86-379-68611679
 E-mail: sales@jcb-bearing.com
 Reserved E-mail: sales@sphericalrollerbearing.net
 Website: www.jcb-bearing.com
 www.sphericalrollerbearing.net

Spherical Roller Bearing

21312 EK

Weight (kg) Scale

S

Total page 6 Page No. 1

Luoyang JCB Bearing Technology Co., Ltd